



Waterproof Telephone

- Aluminum alloy die-casting body
- Protection level IP66/IP67
- Advanced noise reduction technology for HD calls
- Supports 10 groups of speed dialing
- CE, FCC, RoHS, IK10, IP67, ISO9001 standards

IP67



IK10

HD

MAIN FEATURES

It was designed for public and industrial areas requiring a virtually indestructible telephone. The housing is made of die-cast aluminum alloy, with a weatherproof enclosure and an exterior polyurethane finish. It is designed to withstand high levels of humidity, dust, vibration, shock, extreme temperatures, (salt)water, abuse or attempted vandalism.

Typical applications include Outdoor Environments, Public Highways, Underground Tunnels / Mining, Offshore Wind Farms, Production Floors, Chemical Processing Sites, Power Stations or inside large Lifting Machinery such as Quayside Container Cranes, Rubber-Tyred Gantry Cranes (RTGs) and bulk-material Ship Loaders.

- With LCD display 128 x 64 pixels
- Full rubber keypad with memory, 0-9 buttons can be programmed as speed dial buttons
- “M” for muting
- “R” for flash recall
- “LR” button for last number redial
- Handset with noise-cancelling microphone and 83 cm armored cord (optional heavy duty curly cord)
- The handset supports hearing aid compatibility (HAC)
- Magnetic reed hook-switch
- Without door cover, supports wall mounting with mounting bar
- Phone line powered
- Wiring access, 3xM20 cable gland entry points

TECHNICAL SPECIFICATIONS

Analog Specification	
Power supply	Drawn from telephone line
Operating voltage	24 VDC to 65 VDC
Operating current	20 mA DC to 100 mA DC
Ringer operating voltage	48 VAC to 90 VAC (calling frequency 21 to 54 Hz)
Ringing volume	80 dB (A) @ 1 meter
Dialing method	PD or DTMF mode can be set via the menu. DTMF mode in accordance with ITU-T recommendation Q.23
Lightning / Transients	Protection to ITU-T K.21 enhanced levels
Programming	It can be programmed remotely via DTMF tones or the keypad
Technical Specifications	
Compatible with all the standard PABX systems	
Remote programming allows you to manage your network from a central location	
Programmable auto hang-up timer	
Supports automatic dialing with delay after picking up the phone	
Supports scheduled dialing to the central control phone to detect whether the phone is working properly	
Supports MIC mute function	
Supports call transfer	
Supports the telephone line to power external light fixed on the top (no external power supply needed)	
Supports one relay to remotely control external devices	
Can be adapted according to the model of the Analog PABX to support the sequential calling function	
Operating temperature -40°C to 65°C / Storage temperature -40°C to 75°C	
M.T.B.F. exceeds 50,000 hours under normal operating conditions	

OPTIONAL ACCESSORIES



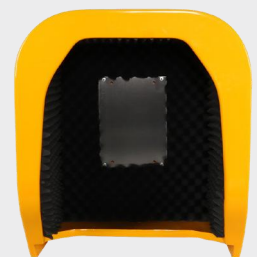
JR-LP-01
LED Light



JR-LP-02
LED Beacon Light



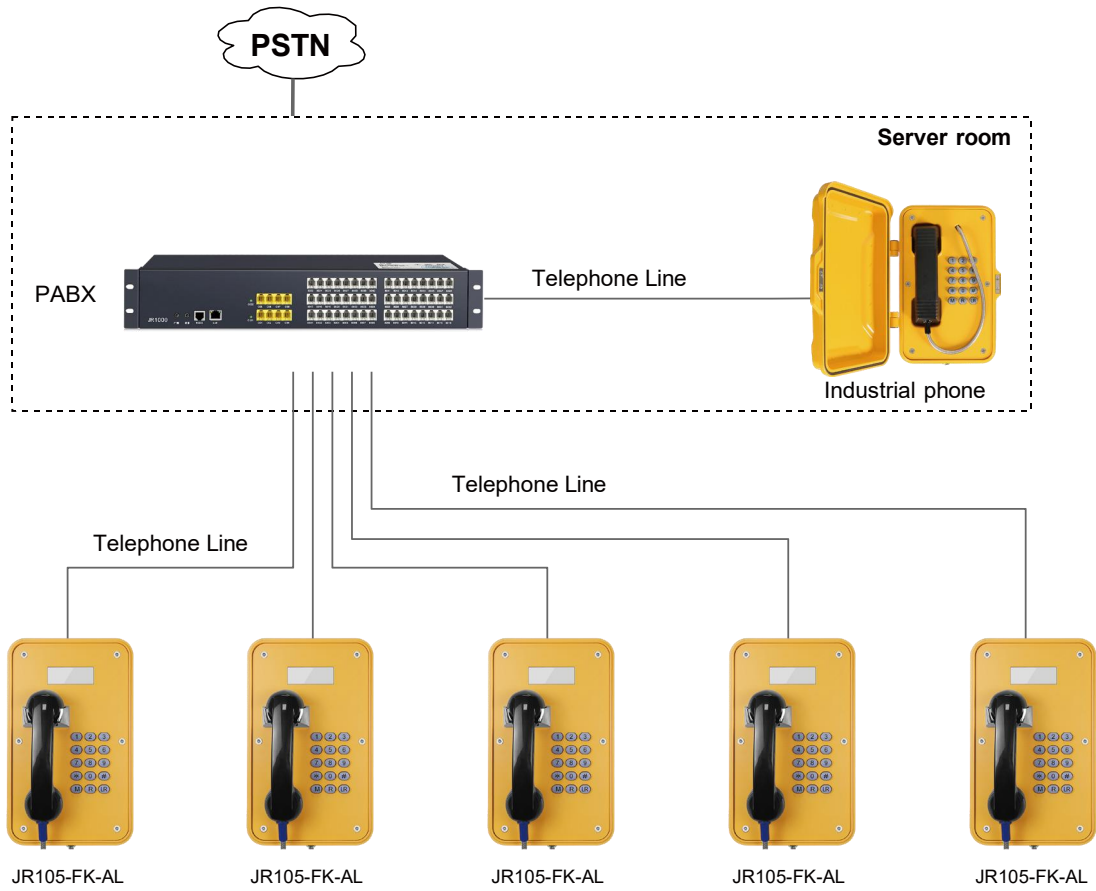
JR-HSA-10/20/25/30/35
Broadcast Horn



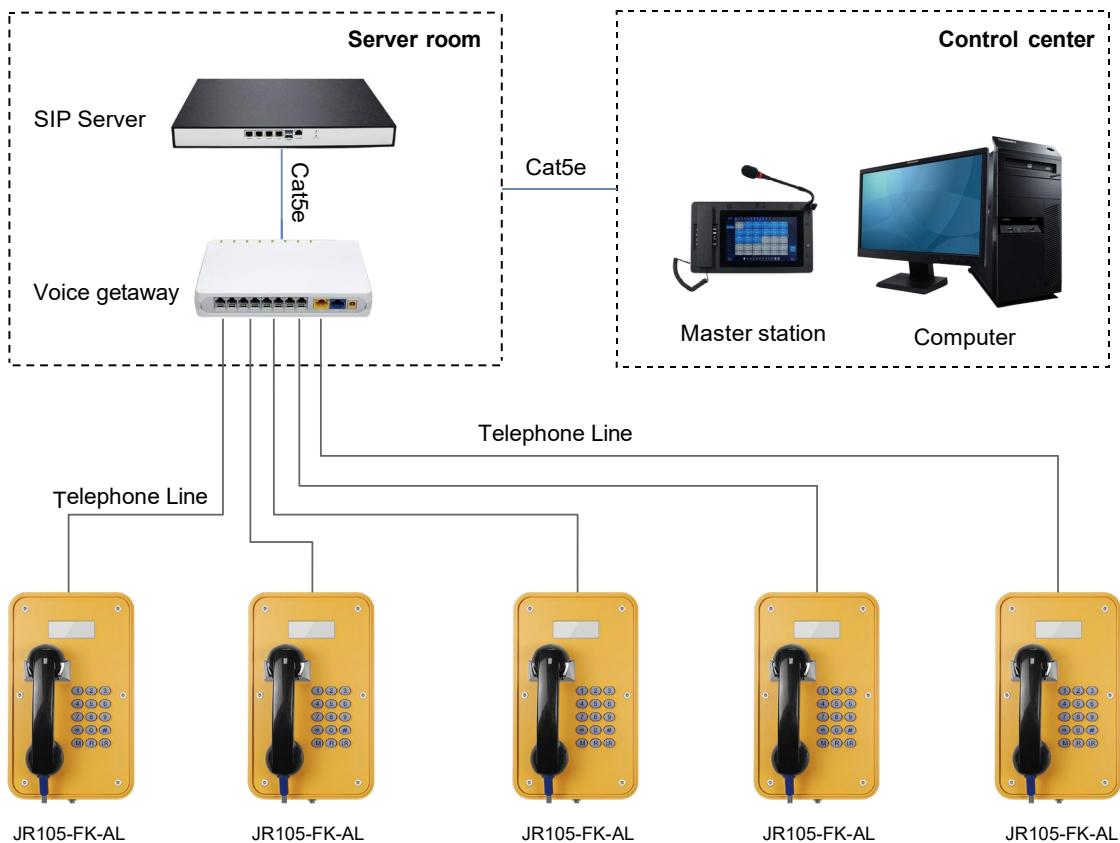
JR-TH-01
Acoustic Hood

APPLICATIONS

1 Analog telephone connects to the PABX and call outside lines through the PSTN.



2 Analog telephone connects to voice gateway, converts analog signal to SIP signal, and is applied in SIP-based systems.



APPLICATION SCENARIOS



Port



Ship



Highway / Tunnel



Railway



Generating station



Mining industry

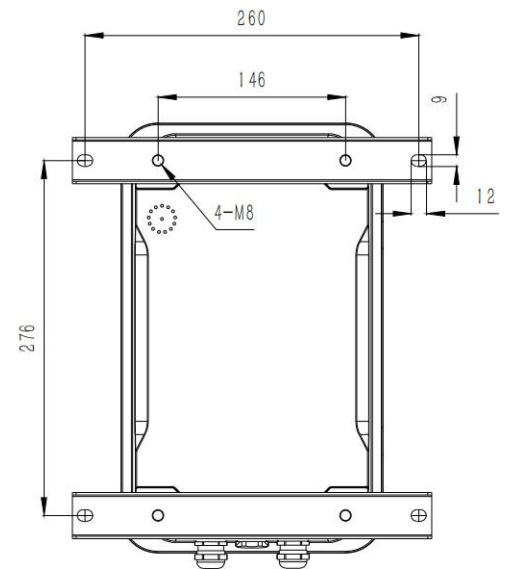
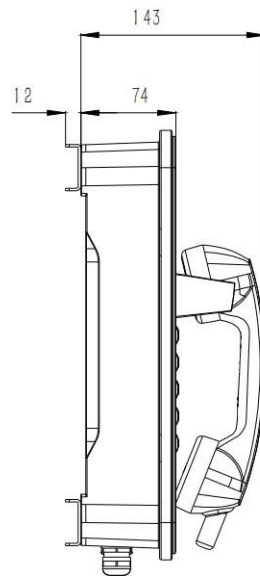
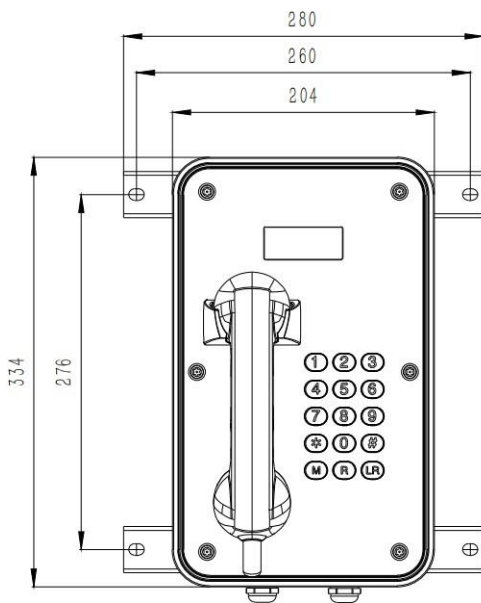


Industrial park



Heavy industry

DIMENSIONS



Package	
Unit size	204*334*143 (mm)
Shipping dimensions	200*300*440 (mm)
Packaging materials	Foam padding, carton
Weight	Gross weight: 6 kg / Net weight: 5 kg

