



Waterproof Telephone

- Aluminum alloy die-casting body
- Protection level IP66/IP67
- Advanced noise reduction technology for HD calls
- Corrosion-resistant hardware
- CE, FCC, RoHS, IK10, IP67, ISO9001 standards



MAIN FEATURES

It was designed for public and industrial areas requiring a virtually indestructible telephone. The housing is made of die-cast aluminum alloy, with a weatherproof enclosure and an exterior polyurethane finish. It is designed to withstand high levels of humidity, dust, vibration, shock, extreme temperatures, (salt)water, abuse or attempted vandalism.

Typical applications include Outdoor Environments, Public Highways, Underground Tunnels / Mining, Offshore Wind Farms, Production Floors, Chemical Processing Sites, Power Stations or inside large Lifting Machinery such as Quayside Container Cranes, Rubber-Tyred Gantry Cranes (RTGs) and bulk-material Ship Loaders.

- 4G wireless communication with remote configuration
- Hands-free telephone, one vandal resistant metal button for emergency call
- Full rubber keypad; 'M', 'R', and 'LR' can be set as speed dial buttons (optional)
- With LED light, blinking when incoming call
- Built-in 2W speaker
- Noise-cancelling microphone
- Without door cover, supports wall mounting with mounting bar
- Wiring access, 3xM20 cable gland entry points

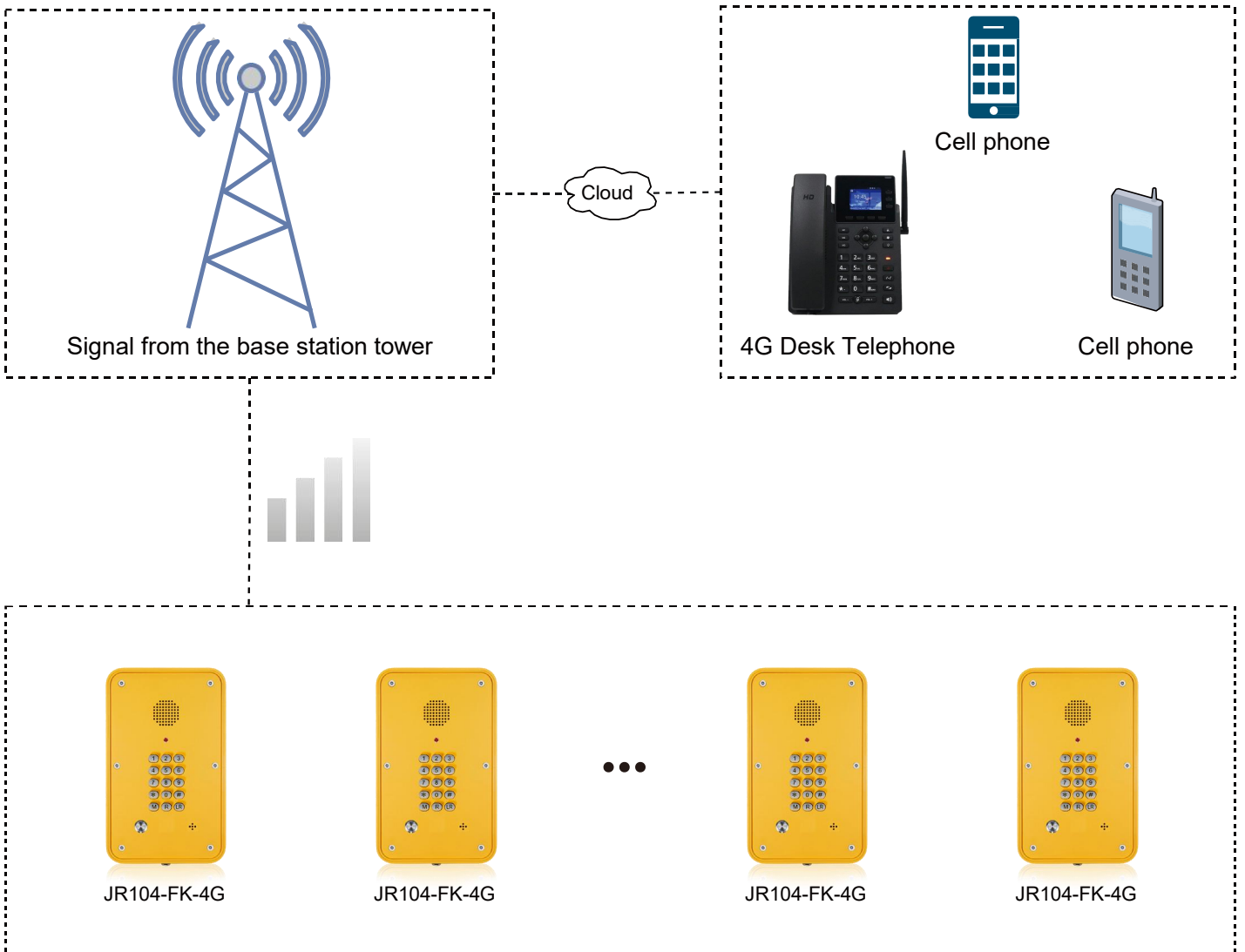
TECHNICAL SPECIFICATIONS

4G Specifications	
Power supply	12V DC
Adapter input	7.4 V-12V DC
Power consumption	Idle 0.3W / Working 1.5W
Communication mode	4G
Working frequency	Depends on modules
Ringing tone	90 dB (A) @ 1 meter
Configuration method	Remote configuration via SMS, allows management from a central location
Configuration	Remote monitoring / Auto-dial numbers
Time out	Enforces a fixed call maximum time limit of 6-8 minutes from off-hook, configurably
Diagnostic function	Low battery voltage, weak signal, speaker volume, microphone volume can be reported via message
Antenna	Quad-band SMA male, externally mounted with 2 m cable
Environment temperature	Operating temperature -40°C to 65°C; Storage temperature -40°C to 75°C
M.T.B.F.	Exceeds 50,000 hours under normal operating conditions

4G Module EC25				
Module	EC25-E	EC25-EU / EUX	EC25-J	EC25-V
Region	EMEA/Korea/Thailand/India	EMEA/Thailand	Japanese	America Verizon
Frequency				
LTE-FDD	B1/B3/B5/B7/B8/B20	B1/B3/B7/B8/B20/B28A	B1/B3/B8/B18/B19/B26	B4/B13
LTE-TDD	B38/B40/B41	B38/B40/B41	B41	/
WCDMA	B38/B40/B41	B1/B8	B1/B6/B8/B19	/
GSM/EDGE	B3/B8	B3/B8	/	/
GNSS	GPS/GLONASS/BeiDou (Compass)/Galileo/QZSS (option)	GPS/GLONASS/BeiDou (Compass)/Galileo/QZSS (option)	GPS/GLONASS/BeiDou (Compass)/Galileo/QZSS (option)	GPS/GLONASS/BeiDou (Compass)/Galileo/QZSS (option)
Module	EC25-A	EC25-AF / AFX / AFXD (Data-only)	EC25-AUX	EC25-MX
Region	North America	North America	Latin America/Australia/New Zealand	Mexico
Frequency				
LTE-FDD	B2/B4/B12	B2/B4/B5/B12/B13/B14/B66/B71	B1/ B2 [®] /B3/B4/B5/B7/B8/B28	B2/B4/B5/B7/B28/B66
LTE-TDD	/	/	B40	/
WCDMA	B2/B4/B5	B2/B4/B5	B1/B2/B4/B5/B8	B2/B4/B5
GSM/EDGE	/	/	B2/B3/B5/B8	/
GNSS	GPS/GLONASS/BeiDou (Compass)/Galileo/QZSS (option)	GPS/GLONASS/BeiDou (Compass)/Galileo/QZSS (option)	GPS/GLONASS/BeiDou (Compass)/Galileo/QZSS (option)	/

APPLICATIONS

Insert the SIM card into the 4G phone and connect to the operator's network to make calls



OPTIONAL ACCESSORIES



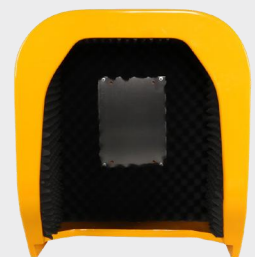
JR-LP-01
LED Light



JR-LP-02
LED Beacon Light



JR-HSA-10/20/25/30/35
Broadcast Horn



JR-TH-01
Acoustic Hood

APPLICATION SCENARIOS



Port



Ship



Highway / Tunnel



Railway



Generating station



Mining industry

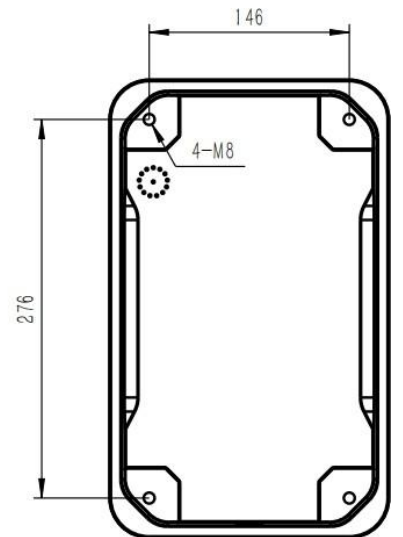
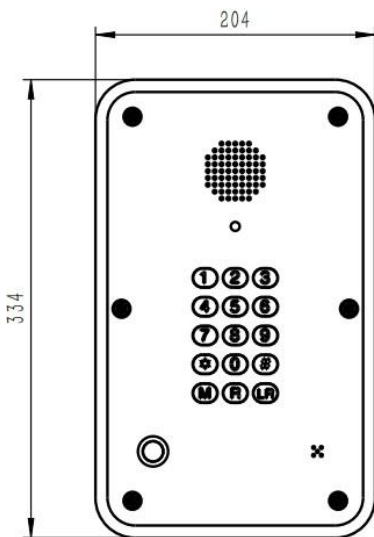


Industrial park



Heavy industry

DIMENSIONS



Package	
Unit size	334*204*74 (mm)
Shipping dimensions	200*300*440 (mm)
Packaging materials	Foam padding, carton
Weight	Gross weight: 6 kg / Net weight: 5 kg

